

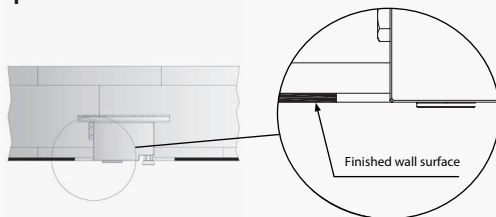
**FANTINI MILANO
BATH FILLER**

[328112]

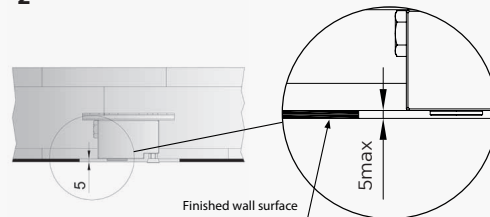
NOTE

- The built in body cannot protrude past the finished wall surface, it must be positioned so it fits flush or is set back a maximum of 5mm, see pictures 1 and 2.
- The in-wall body has 1/2 inch BSP connections
- Supply pipe work must be flushed clean before installation. Use flushing plate (supplied picture 5) to flush the lines and when pressure testing.
- Full installation instructions come with the product.

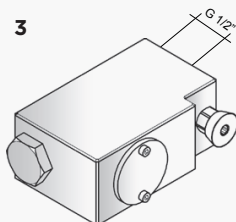
1



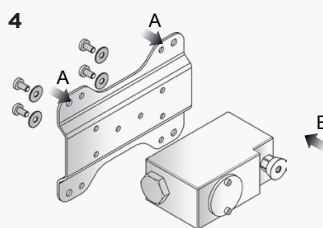
2



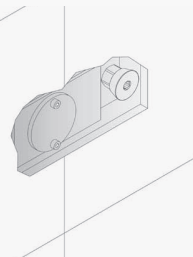
3



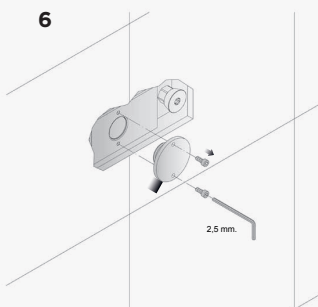
4



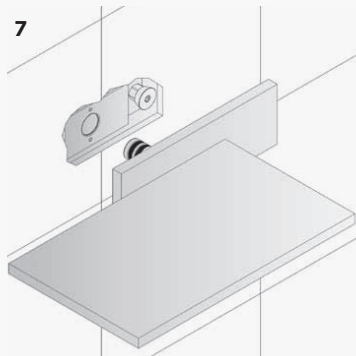
5



6



7



8

