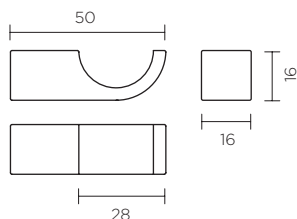


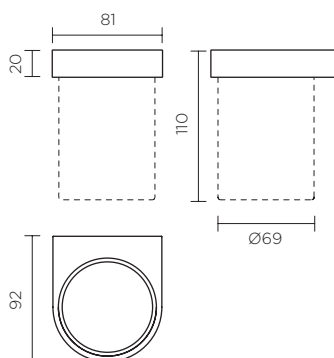


Hewi

Rogerseller introduces the Hewi accessories and accessibility range. Designed and manufactured in Germany from a range of high quality materials carefully selected to provide comfort, convenience and support. The holding elements are chrome plated with inserts made of high quality Polyamide or a satin finished glass.

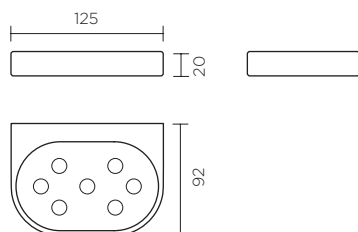


Hewi Robe Hook
424010 — Chrome



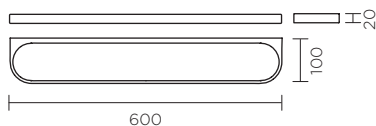
Hewi Crystal Tumbler
424012

- Satin finished glass with chrome holder
- Chrome holder features protective ring made of flexible polyethylene for a secure position and protection for the glass insert



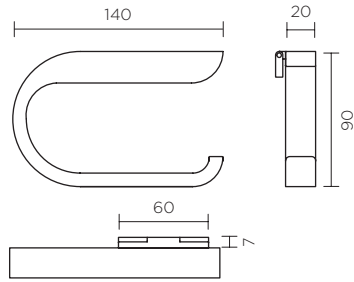
Hewi Crystal Soap Dish
424014

- Satin finished glass with chrome holder
- Insert can sit flush or be used as a small storage dish
- Chrome holder features protective ring made of flexible polyethylene for a secure position and protection for the glass insert

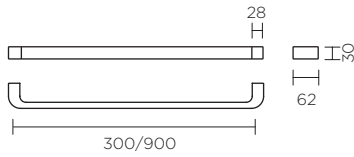


Hewi Glass Shelf
424016

- Satin finished glass with chrome holder
- Insert is rotatable and can be mounted flush with the bracket or can be used as a storage dish
- Chrome holder features protective ring made of flexible polyethylene for a secure position and protection for the glass insert

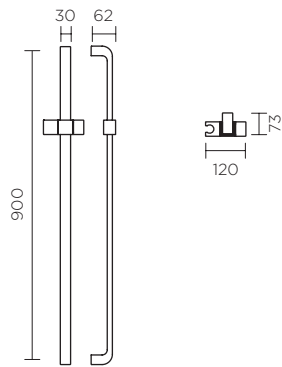


Hewi Toilet Roll Holder
424018 — Chrome



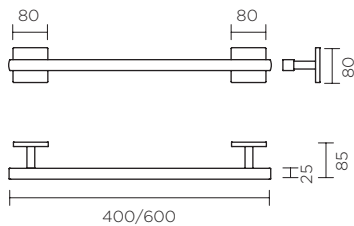
Hewi Towel Rail 300mm
424020 — Chrome

Hewi Towel Rail 900mm
424024 — Chrome



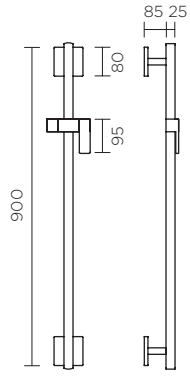
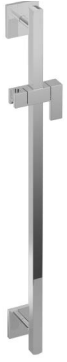
Hewi Shower Rail
424026 — Chrome

- Rail with shower head holder
- Excluding hand shower



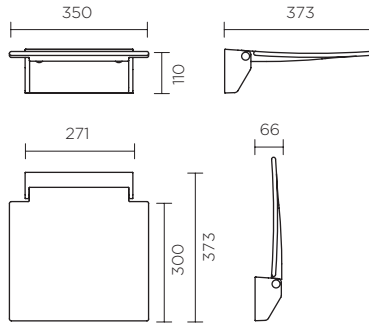
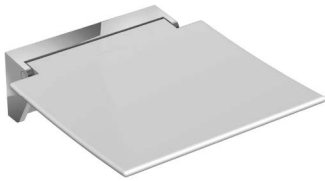
Hewi Support Bar 400mm
424028 — Chrome

Hewi Support Bar 600mm
424030 — Chrome



Hewi Support Shower Rail
424032 — Chrome

- Rail with shower head holder
- Lever for easy slide adjustment



Hewi Hinged Seat
424034 — White Polyamide

- Seat can be folded up (folded up depth 66mm)
- Metal wall bracket/hinge with high quality chrome look coating

Please note —

Dimensions are approximate. Information provided in this brochure is representative of the actual products available at the time of printing. Due to our policy of continuous product development, the designs and specifications depicted are subject to change without notice. Please confirm all particulars with your sales consultant prior to purchase. Each product is covered by a limited warranty. Full terms and conditions are available from your sales consultant.