

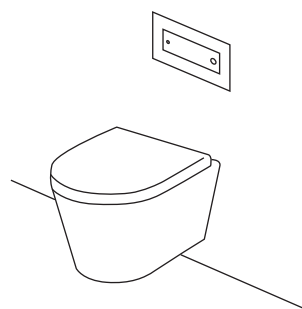
Concealed Toilet Selection Guide

Configure your ideal wall hung concealed toilet solution in three easy steps.



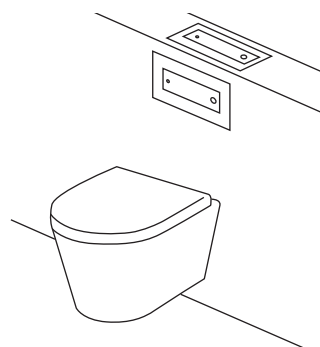
1. Determine your access.
Inwall or underbench

Inwall (front access)



Requires 90mm wall cavity depth.

Underbench (front or top access)

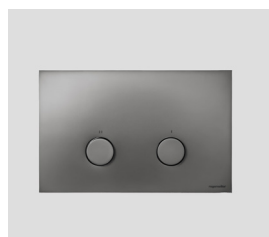


When width, height or depth limitations prevent inwall cistern installation; requires 160-185mm cavity depth.

2. Select your flush plate.

Choose touch functionality, styles, materials and finish.

Inwall and Underbench



Apollo by Rogerseller Flush Plate

Inwall Pneumatic Cistern with frame

3232000801 — Chrome

3232000805 — Graphite

3232000807 — Bushed Nickel

3232000811 — Matt Black

3232000814 — Brushed Gold

• Minimum wall cavity depth 90mm

Underbench Pneumatic Cistern with frame

3232000601 — Chrome

3232000605 — Graphite

3232000607 — Bushed Nickel

3232000611 — Matt Black

3232000614 — Brushed Gold

• Minimum wall cavity depth 130mm



Rogerseller Peak Chrome Dual Flush Push Plate

232011 — Inwall Pneumatic Cistern with Frame

• Minimum wall cavity depth of 90mm

232013 — Underbench Pneumatic Cistern with Frame

• Minimum wall cavity depth of 160mm



Rogerseller Peak Black Dual Flush Push Plate

232016 — Inwall Pneumatic Cistern with Frame

• Minimum wall cavity depth of 90mm

232018 — Underbench Pneumatic Cistern with Frame

• Minimum wall cavity depth of 160mm



Rogerseller Peak White Dual Flush Push Plate

232021 — Inwall Pneumatic Cistern with Frame

• Minimum wall cavity depth of 90mm

232023 — Underbench Pneumatic Cistern with Frame

• Minimum wall cavity depth of 160mm



Style 12 Chrome ABS Push Plate

230410 — Inwall Cistern with Frame

- Minimum wall cavity depth of 90mm

230501 — Underbench Cistern with Frame

- Minimum wall cavity depth of 185mm



Style 12 Light Grey Glass Push Plate

230404 — Inwall Cistern with Frame

- Minimum wall cavity depth of 90mm

230503 — Underbench Cistern with Frame

- Minimum wall cavity depth of 185mm



Style 12 Black Glass Push Plate

230406 — Inwall Cistern with Frame

- Minimum wall cavity depth of 90mm

230502 — Underbench Cistern with Frame

- Minimum wall cavity depth of 185mm

3. Select your wall hung pan.

Floor mount pans available as a separate selection guide.



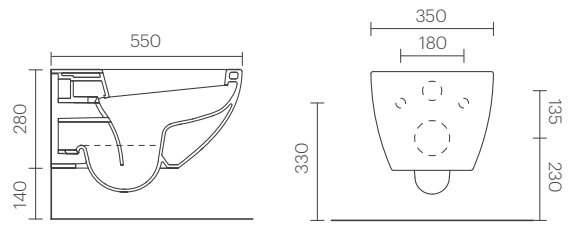
Sfera Rimless Wall Hung Toilet Pan

213432 — Slim Seat (Shown)

213431 — Standard Seat

3213000130 — Slim Seat Matt White

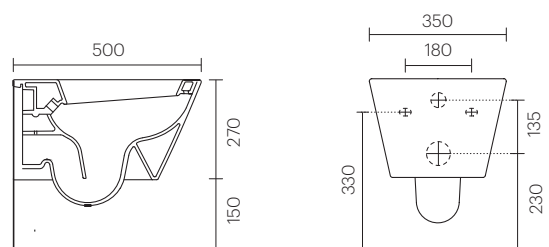
- Not suitable for use with an underbench cistern.



Zero 50 Wall Hung Toilet Pan

213417 — Slim Seat (Shown)

213416 — Standard Seat



Zero 45 Wall Hung Toilet Pan

213414 — Standard Seat

