

**rogerseller**  
**PROJECTIONS**



**rogerseller**

**MELBOURNE**  
173-177 Barkly Avenue  
Burnley VIC 3121  
P 03 9429 8888 F 03 9429 6966

**SYDNEY**  
PYD Building  
197 Young Street  
Waterloo NSW 2017  
P 02 8396 8700 F 02 9690 2804

**BRISBANE**  
72-78 McLachlan Street  
Fortitude Valley QLD 4006  
P 07 3251 4333 F 07 3257 2155

**PERTH**  
153 Broadway  
Nedlands WA 6909  
P 08 6389 1366 F 08 6389 1466

**CONCEPT STORES**  
Southern Innovations  
Canberra ACT  
P 02 6126 1155 F 02 6126 1156  
Mitchell ACT  
P 02 6241 4877 F 02 6241 4776  
Albury NSW  
P 02 6049 3355 F 02 6049 3356

Estilo Bathware & Ceramics  
Adelaide SA  
P 08 8415 2999 F 08 8415 2900

Vogue Spas & Bathrooms  
Southport QLD  
P 07 5528 0077 F 07 5528 0767

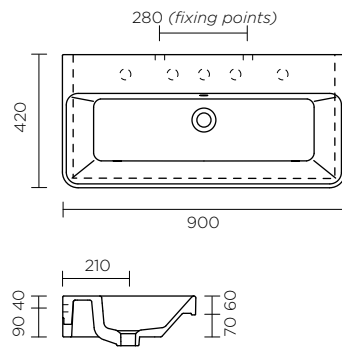
Gunns Kitchens & Bathrooms  
Launceston TAS  
P 03 6332 6201 F 03 6332 6299

WC Bath + Shower  
Chatswood NSW  
P 02 9413 3999 F 02 9413 9333

.....

# PROJECTIONS

Rogerseller presents Projections, a leading style direction in washbasins, by leading Italian manufacturer Catalano. Integral to the cutting-edge design is the refined basin rim height and finer edge profile creating a more delicate, sophisticated style. The overall shape expresses lightness whilst its ample basin serves as a practical and functional solution. Also available as an integrated 'cabinet and washbasin', designed to provide storage and maximize space for a complete bathroom solution.



## PROJECTIONS 90 WASHBASIN

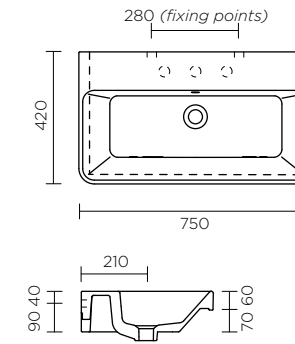
**213702** | White Ceramic

- › Rim height 60mm
- › Single, multiple or no taphole option
- › Wall hung, semi-inset or bench mount
- › Slim line towel rail
- › 32mm waste required (with overflow)
- › Unglazed back

## PROJECTIONS 90 TOWEL RAIL

**213704** | Chrome

- › 792 x 90mm



## PROJECTIONS 75 WASHBASIN

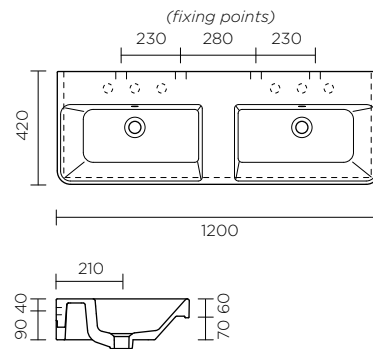
**213706** | White Ceramic

- › Rim height 60mm
- › Single, multiple or no taphole option
- › Wall hung, semi-inset or bench mount
- › Slim line towel rail
- › 32mm waste required (with overflow)
- › Unglazed back

## PROJECTIONS 75 TOWEL RAIL

**213708** | Chrome

- › 645 x 90mm



## PROJECTIONS DOUBLE WASHBASIN

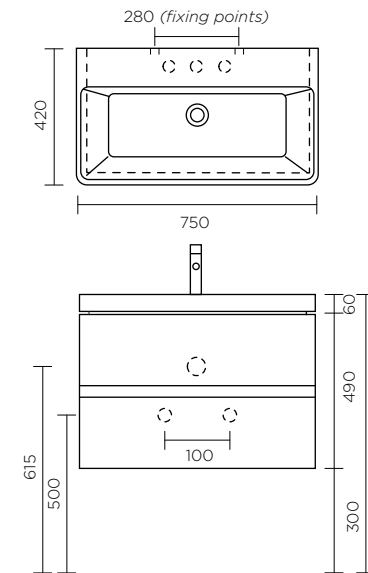
**213716** | White Ceramic

- › Rim height 60mm
- › Single, multiple or no taphole option
- › Wall hung, semi-inset or bench mount
- › Slim line towel rail
- › 32mm waste required (with overflow)
- › Unglazed back

## PROJECTIONS DOUBLE TOWEL RAIL

**213718** | Chrome

- › 1100 x 90mm



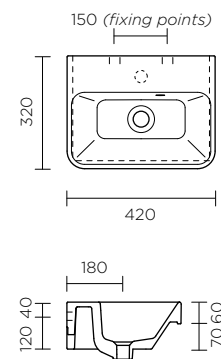
## PROJECTIONS 75 WASHBASIN & DOUBLE DRAWER CABINET

**6558304** | White Cabinet

**6558354** | Natural Veneer Cabinet

- › Single, multiple or no taphole option
- Integrated white ceramic basin, rim height 60mm
- Wall hung installation only
- 32mm waste required (with overflow)
- Unglazed back
- Refined slimline cabinet, available in 12 wood finishes & 21 lacquered finishes (matt or gloss)\*
- MDF complies with E1\* standard\*
- 2 x deep drawers with soft close mechanism
- Maximum storage capacity

**[i]** Allow 14 weeks for delivery (excluding white finish)  
Environmentally sustainable with high moisture resistance.



## PROJECTIONS 42 WASHBASIN

**213712** | White Ceramic

- › Rim height 60mm
- › Single or no taphole option
- › Wall hung, semi-inset or bench mount
- › Rounded slim line towel rail
- › 32mm waste required (with off centre overflow)
- › Unglazed back

## PROJECTIONS 42 TOWEL RAIL

**213714** | Chrome

- › 360 x 90mm